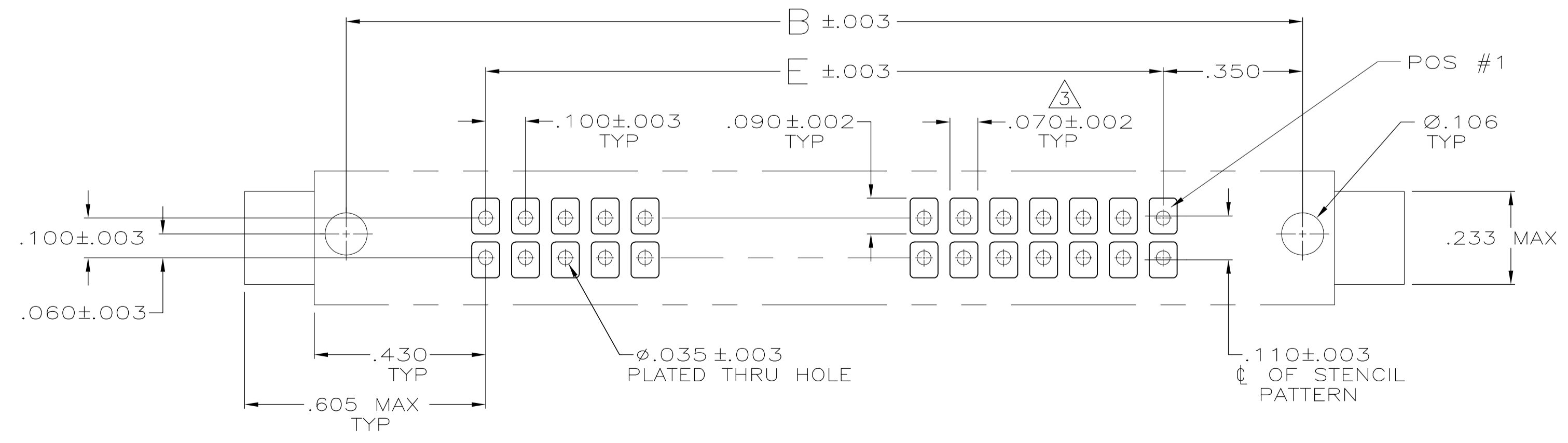
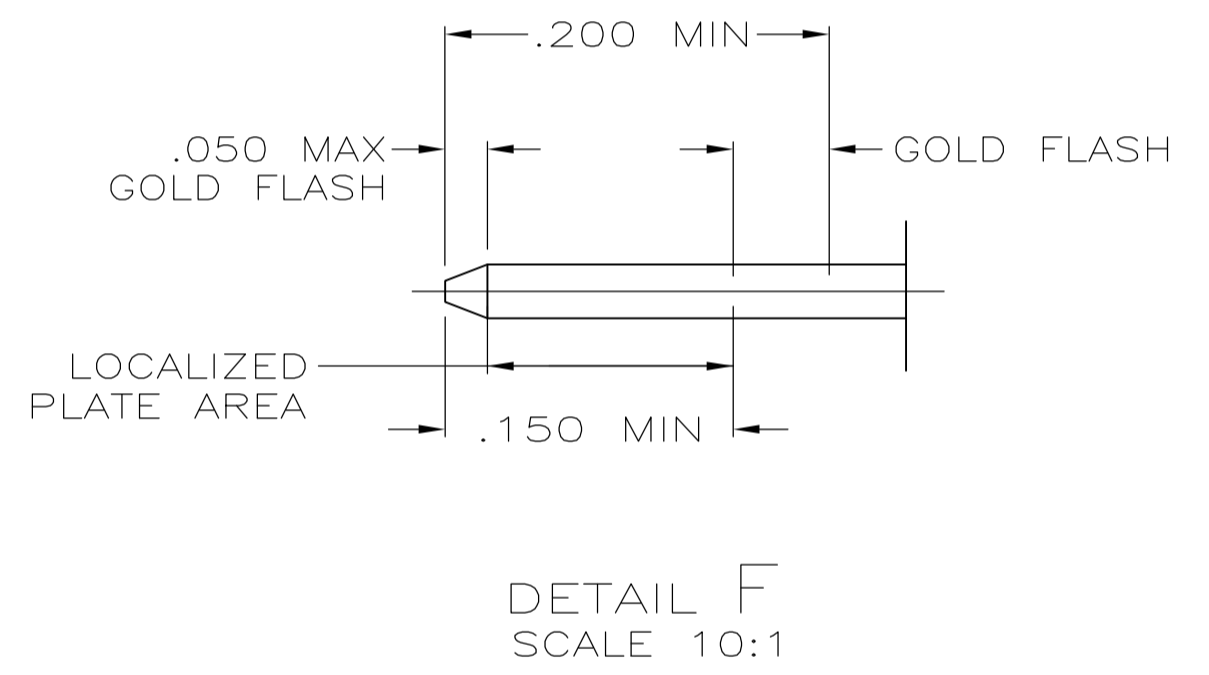
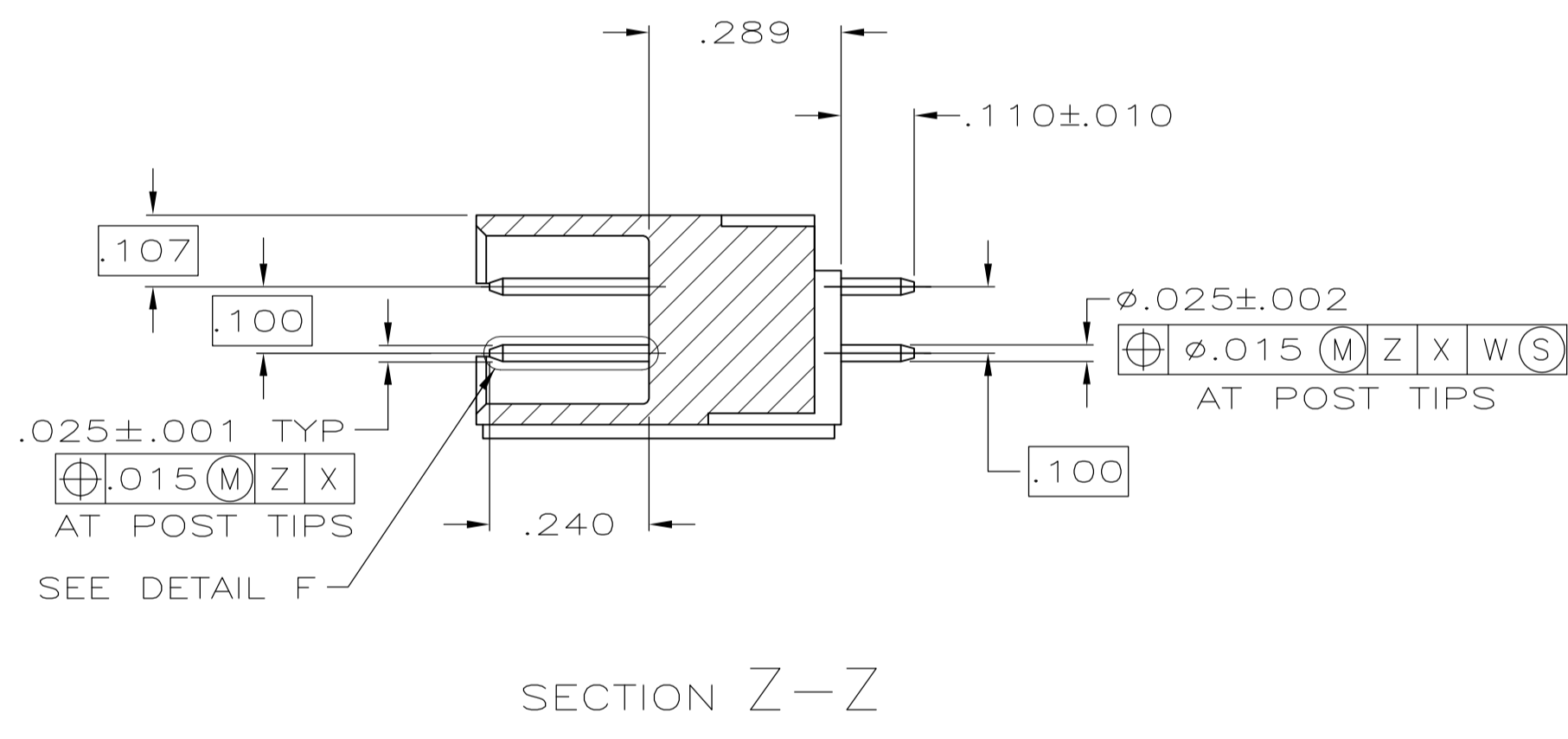
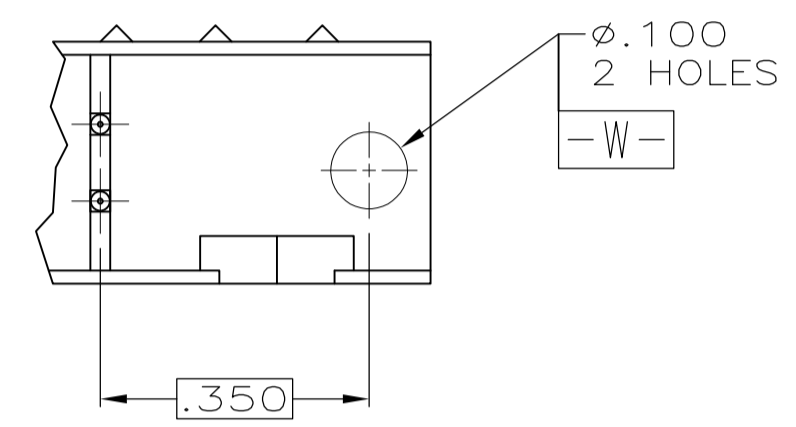
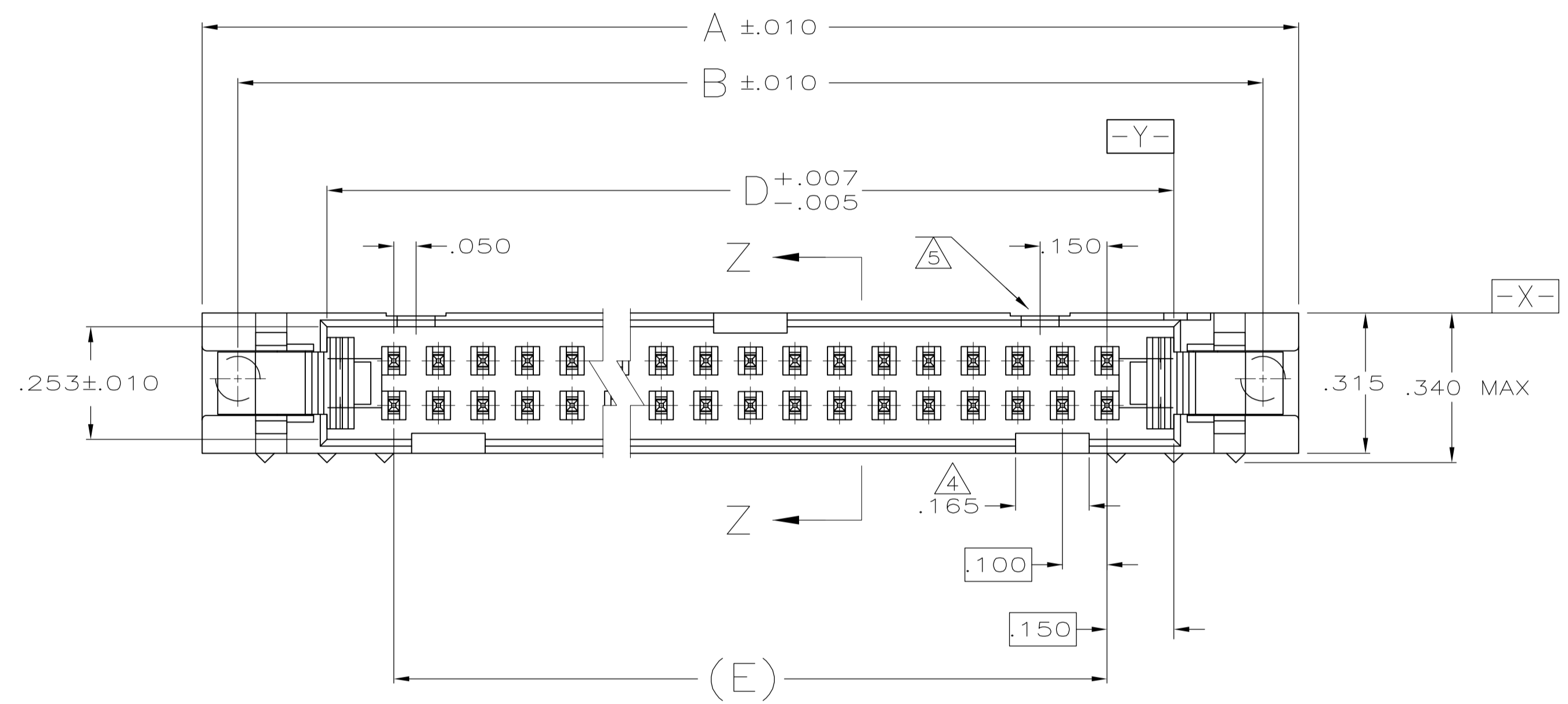


- 1 MOLDED PARTS: FLAME RETARDANT PCT, UL94 V-0 RATED, COLOR RED. POSTS: BRASS OR PHOSPHOR BRONZE.
- 2 POSTS: GOLD FLASH OVER PALLADIUM-NICKEL PLATE, .000030 MIN TOTAL ON THE LOCALIZED PLATE AREA, .000100 MIN TIN PLATE ON THE SOLDER-TAIL, .000050 MIN NICKEL UNDERPLATE ON THE ENTIRE POST. -OR- .000030 MIN GOLD PLATE ON THE LOCALIZED PLATE AREA, .000100 MIN TIN PLATE ON THE SOLDER-TAIL, .000050 MIN NICKEL UNDERPLATE ON THE ENTIRE POST.
- 3 RECOMMENDED STENCIL THICKNESS EQUALS .010
- 4 FOR 10 POS.HEADER ONLY, ONE SLOT LOCATED AS SHOWN.
- 5 NO SNAP-IN POLARIZING FEATURE ON THIS END FOR 10 POS HEADERS.



2.400	2.700	2.860	3.100	3.260	50	1-5111375-0
1.900	2.200	2.360	2.600	2.760	40	5111375-9
1.600	1.900	2.060	2.300	2.460	34	5111375-8
1.200	1.500	1.660	1.900	2.060	26	5111375-6
.400	.700	.860	1.100	1.260	10	5111375-1
E	D	C	B	A	NO OF POSN	PART NUMBER

THIS DRAWING IS A CONTROLLED DOCUMENT.

DIMENSIONS: INCHES	TOLERANCES UNLESS OTHERWISE SPECIFIED:	APPROVED: G. ATTADIA - DOCKS	DATE: 01-11-05	DESIGNED: S. BOLASH	DATE: 01-11-05	NAME: M. WALMSLEY	DATE: 01-11-05	PRODUCT SPEC: 108-40018	APPLICATION SPEC: -	SIZE: A1	SCALE: 4:1	DRAWING NO: 00779	DRAWING NO: 5111375	RESTRICTED TO: -
0 PLC ± - 1 PLC ± - 2 PLC ± .005 3 PLC ± - 4 PLC ± - ANGLES ± -		Tyco Electronics Corporation Harrisburg, PA 17105-3608		Tyco Electronics Corporation Harrisburg, PA 17105-3608		NAME: M. WALMSLEY DATE: 01-11-05		HEADER ASSEMBLY, UNIVERSAL, HIGH TEMP, W/LATCHS, AMP-LATCH		WEIGHT: - CUSTOMER DRAWING		SCALE: 4:1 SHEET 1 OF 1 REV B		RESTRICTED TO: -